

TECHNICAL DATA

AT A GLANCE

- *Mounted in good sight line of shooter*
- *Bright, easily seen lamp assemblies*
- *Easy bulb replacement from front of assembly*
- *Enable or disable from Master Control Screen*

DESCRIPTION:

The Touch Plus™ firing line safety lights are bright, coloured lights that are easily seen at each position to show whether or not it is safe to shoot. The lights are fastened to the overhead lateral booth beam directly in front of each shooting position and the bulbs are easily replaced when necessary.

FINISH:

Pebbled Black Powder Coat

SIZE:

10.00"L x 1.63"W x 0.69"H

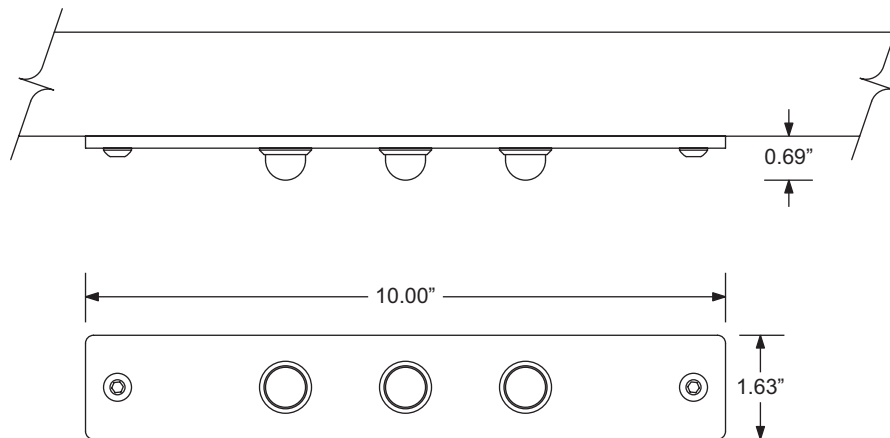
WEIGHT:

1 lb

INNOVATION. NOT IMITATION.

ARCHITECTS' & ENGINEERS' SPECS

The Firing Line Safety Light system shall be an integrated part of the Touch Plus™ Range Control system. The lights shall be controlled either by the system, such as if the Firing Line Photoelectric Safety Beam (FSB1000) is activated, or directly from the Master Control Screen. The master control can enable all of the available operational functions. The Firing Line Safety Light system shall mount to the front lateral beam of the booth in good sight line of the shooter. If the range has no booths, a beam shall be installed to which the light system shall be mounted. The light system shall operate such that all lights of the same colour function simultaneously. There shall be three coloured lights per shooting position (red, amber and green). The bulbs shall be easily replaceable from the front of the assemblies.



All specifications and design details are subject to change without prior notice. All rights reserved. © 11.04

INNOVATION. NOT IMITATION.