

Fixed Lateral Air 90° Turning Target Unit
Model LFA3000



TECHNICAL DATA

AT A GLANCE

- Multiple target units can be mounted cross-range
- Exclusive Cam-Clamp™ holds target tightly yet releases with a simple squeeze of the lever
- Rapid 90° target rotation
- Winterizing option is available

DESCRIPTION:

Multiple target units can be cross-range ceiling mounted. The protective trough connecting the carriers conceals and protects the air and electrical lines while providing easy access for installation and service. Operation of the target units is controlled from a Touch Plus™ Master Control Screen. The target clamp is the Cam-Clamp™ - an exclusive design that holds the target tightly yet allows it to be released with a simple one-handed squeeze of the lever. The turning mechanism provides 90° rotation of the target, alternating between face and edge. A winterizing option is available for systems that will be exposed to cold or inclement weather.

FINISH:

Housing: Yellow Zinc Dichromate
Clamp, Downrigger: Grey Powder Coat

SIZE:

17.69"L x 6.00"W x 32.85"H
(based on a 24.00" downrigger length)

WEIGHT:

43 lbs

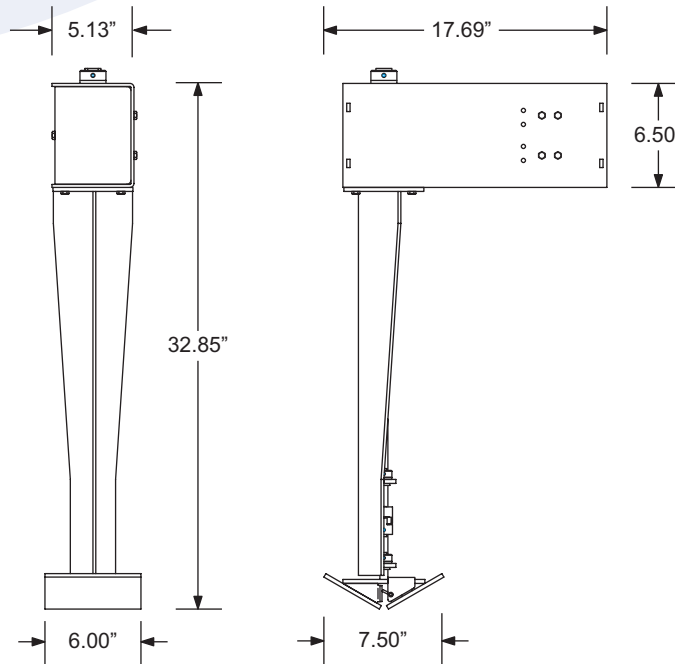
INNOVATION. NOT IMITATION.

Fixed Lateral Air 90° Turning Target Unit
Model LFA3000



ARCHITECTS' & ENGINEERS' SPECS

The Fixed Lateral Air 90° Turning Target Unit shall be suspended from the ceiling behind a protective barrier (to be provided by others). The target mechanism shall be designed to operate reliably in both indoor and outdoor range environments. The turning assembly shall be totally enclosed to prevent debris from getting inside and shall be fastened to the mounting plate with two 1/2" bolts enabling easy removal for maintenance purposes. The housing shall be made of 3/16" mild steel. An air actuator shall provide the turning force. The downrigger shall have a Cam-Clamp™ assembly of ballistic steel to hold the target below the carrier body. The system shall be controlled by a Touch Plus™ Control Cabinet and operated from a Master Control Screen. The system shall be capable of supporting multiple target units. There shall be quick disconnects for the air supply line and the control wiring, which shall all be contained within a protective 11-gauge steel trough. There shall be a winterizing option available for systems exposed to cold and inclement weather.



All specifications and design details are subject to change without prior notice. All rights reserved. © 11.04

INNOVATION. NOT IMITATION.