

**Portable Turning Target Stand**  
**Models SPA4000, SPH4000, SPW4000**



## **TECHNICAL DATA**

### **AT A GLANCE**

- Portability and stability combined
- Rugged design
- Quickload™ target clamp
- Three styles available to suit different needs

### **DESCRIPTION:**

The Portable Turning Target Stand has been designed to combine portability with stability and reliability. The front shield is constructed of AR500 hardened steel and the vertical member is designed to deflect hits. The Quickload™ target clamp is strong yet easy to operate. Both the SPA4000 and the SPH4000 are controlled from a Touch Plus™ Master Control Screen. The Air 90° Turning model (SPA4000) incorporates an air actuator providing rapid 90° rotation. The Electric 360° Turning model (SPH4000) is hardwired to a 24VDC power supply. Target rotation is controlled by the 360° Random Edging™ target turning mechanism. The Wireless Electric 360° Turning model (SPW4000) uses an on-board RF wireless receiver that takes commands from a hand-held control transmitter. High-capacity on-board batteries will supply power for up to 8 hours. A charger is included to recharge batteries overnight.

### **FINISH:**

Housing: Yellow Zinc Dichromate  
Stand, Front Shield: Grey Powder Coat

### **SIZE:**

24.99"L x 24.00"W x 41.50"H

### **WEIGHT:**

SPA4000: 164 lbs  
SPH4000: 171 lbs  
SPW4000: 184 lbs

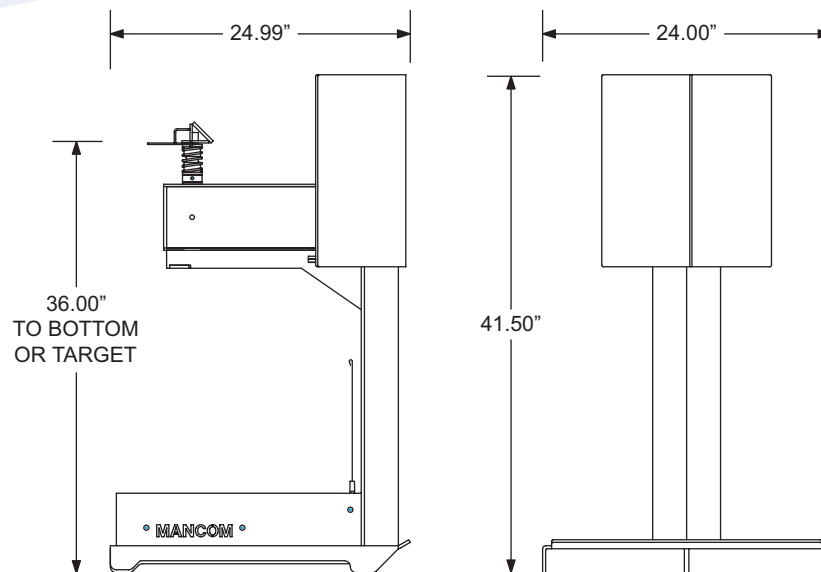
**INNOVATION. NOT IMITATION.**

**Portable Turning Target Stand**  
**Models SPA4000, SPH4000, SPW4000**



## **ARCHITECTS' & ENGINEERS' SPECS**

The Portable Turning Target Stand shall be simple to relocate within a range or transport in a vehicle. The unit shall be fitted with a Quickload™ target clamp. The stand shall be of solid steel construction with 1/4" AR500 ballistic steel for the front shield. The SPA4000 model shall be controlled by electric signals with an air actuator providing the turning force. The turning mechanism shall provide rapid 90° rotation of the target. The system shall be operated from a Master Control Screen. The SPH4000 model shall be wired to a 24VDC power supply. Target rotation shall be controlled by the 360° Random Edging™ target-turning mechanism. The system shall be operated from a Master Control Screen. The SPW4000 model shall have a self-contained power supply consisting of industrial grade rechargeable batteries. The battery system shall be capable of operating the unit for up to 8 hours of use. The system shall be operated remotely from a small key fob transmitter. The motor mechanism within the stand shall provide rotation of the target through 360°.



All specifications and design details are subject to change without prior notice. All rights reserved. © 11.04

**INNOVATION. NOT IMITATION.**