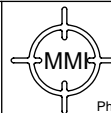


CONFIDENTIAL
 THIS PRINT IS THE
 PROPERTY OF
MANCOM
 MANUFACTURING INC.
 THE CONTENTS ARE
 CONFIDENTIAL AND MUST
 NOT BE SUBMITTED TO
 OUTSIDE PARTIES FOR USE
 OR EXAMINATION.
 UNDER NO
 CIRCUMSTANCES IS IT TO
 BE COPIED IN WHOLE OR
 PART.

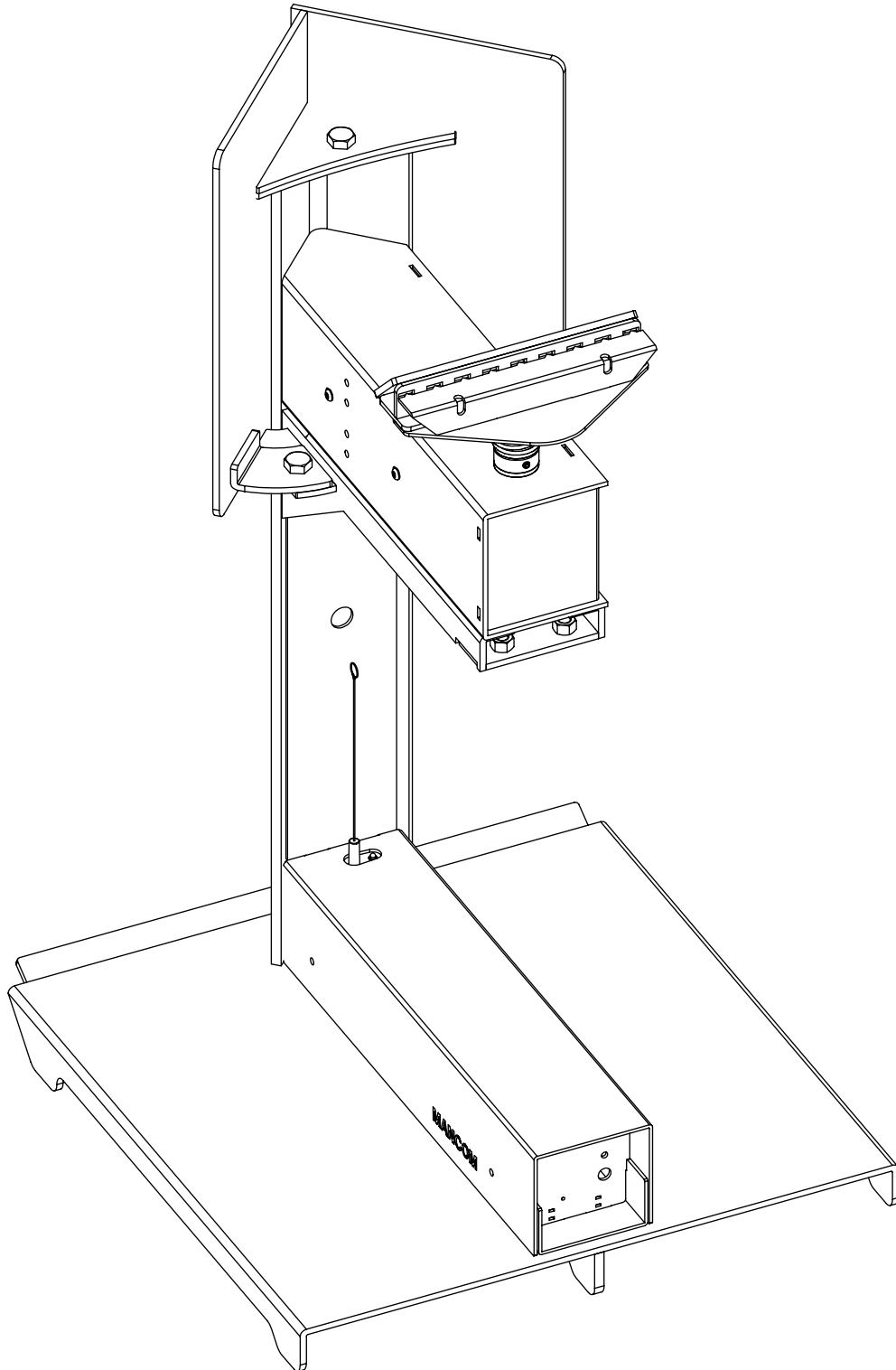
TOLERANCES UNLESS
 OTHERWISE SPECIFIED:
 DECIMAL - .X - ± 0.03
 .XX - ± 0.010
 .XXX - ± 0.003
 FRACTIONAL - $\pm 1/32$
 ANGULAR - $\pm 0.5^\circ$




MANCOM
 MANUFACTURING INCORPORATED
 1335 Osprey Drive, Ancaster, ON, L9G 4V5
 Phone: 905-304-6141, Fax: 905-304-6137, www.mancom.ca

DRAWN BY **MM**
 DATE **03/23/04**
 REV. SIZE

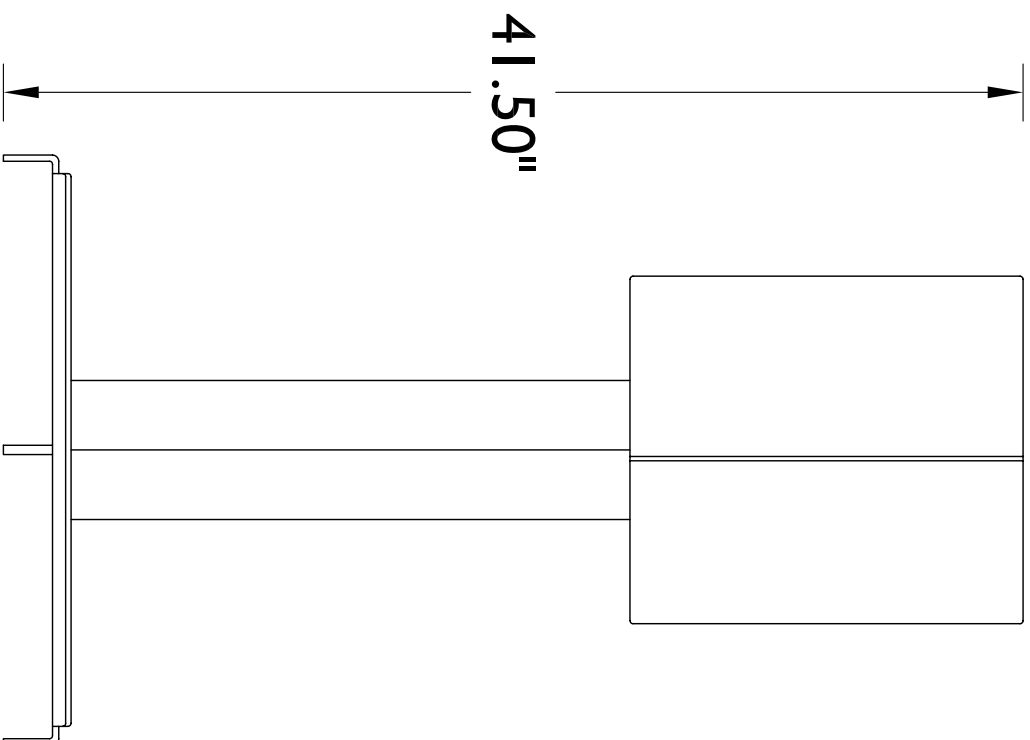
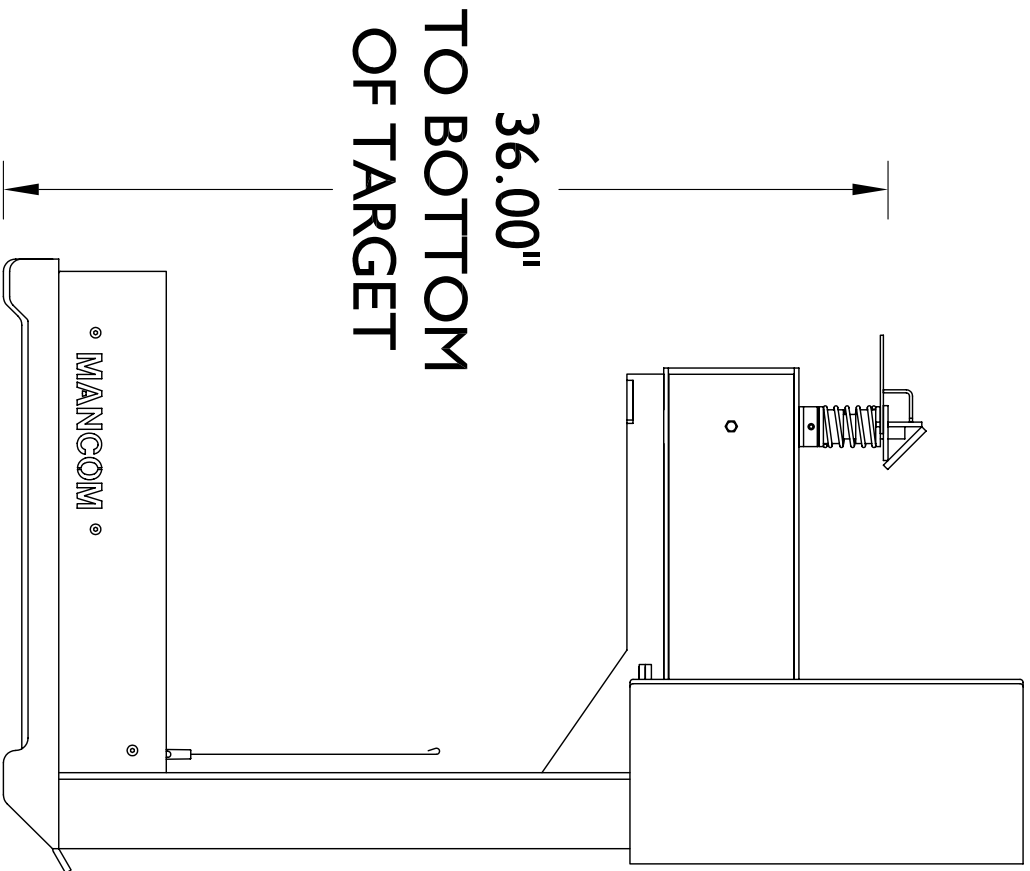
DWG. TITLE **PORTABLE TURNING TARGET STAND
 WIRELESS ELECTRIC 360'**
 SCALE DWG. NO. **SPW4000** SHEET **1 OF 2**



| | | | | |
|---|---|--|---|--------------------------------|
| <p>CONFIDENTIAL THIS PRINT IS THE PROPERTY OF MANCOM MANUFACTURING INC. THE CONTENTS ARE CONFIDENTIAL AND MUST NOT BE SUBMITTED TO OUTSIDE PARTIES FOR USE OR EXAMINATION. UNDER NO CIRCUMSTANCES IS IT TO BE COPIED IN WHOLE OR PART.</p> | <p>TOLERANCES UNLESS OTHERWISE SPECIFIED: DECIMAL - .X - ± 0.03 .XX - ± 0.010 .XXX - ± 0.003 FRACTIONAL - $\pm 1/32$ ANGULAR - $\pm 0.5^\circ$</p> |  <p>MANCOM MANUFACTURING INCORPORATED 1335 Osprey Drive, Ancaster, ON, L9G 4V5 Phone: 905-304-6141, Fax: 905-304-6137, www.mancom.ca</p> | | |
| | <p>DRAWN BY MM</p> | | <p>DWG. TITLE PORTABLE TURNING TARGET STAND WIRELESS ELECTRIC 360'</p> | |
| | <p>DATE 03/23/04</p> | <p>SCALE</p> | <p>DWG. NO. SPW4000</p> | <p>SHEET 2 OF 2</p> |
| | <p>REV.</p> | <p>SIZE</p> | | |

24.99"

24.00"



PORTABLE WIRELESS TURNING TARGET STAND

INSTRUCTIONS



POWER:

To operate the turning target unit, turn the power ON using the switch located on the back of the unit. A green light located at the base of the stand will illuminate, indicating the power is ON.

**** NOTE: IF THE GREEN LIGHT IS NOT ILLUMINATED, THERE IS NO POWER AND THE TARGET UNIT WILL NOT FUNCTION****

When the unit is not in use, turn the power OFF using the same switch located on the back of the unit. The green light will turn off indicating the power is OFF.

OPERATION:

Only the red and black buttons on the remote control (provided with unit) are used to execute turning commands. To turn the target clamp 90° to the left, press and release the red button on the remote control. To turn the target clamp 90° to the right, press and release the black button on the remote control.

**** NOTE: A MINIMUM OF TWO SECONDS MUST ELAPSE BETWEEN EACH TURNING COMMAND****

Example 1: To turn the target clamp 90° to the left, then back 90° to the right:

- press and release the red button, wait 2 seconds (minimum), press and release the black button.

Example 2: To turn the target clamp 90° to the left, then another 90° to the left:

- press and release the red button, wait 2 seconds (minimum), press and release the red button.

**** NOTE: WHEN QUICKER TARGET TURNING IS DESIRED, PRESS THE GREEN OR YELLOW BUTTON BETWEEN TURNING COMMANDS TO BYPASS THE PREVIOUSLY MENTIONED TWO SECOND DELAY****

Example 3: To turn the target clamp 90° to the left, then immediately back 90° to the right:

- press and release the red button, press and release the green OR yellow button, press and release the black button.

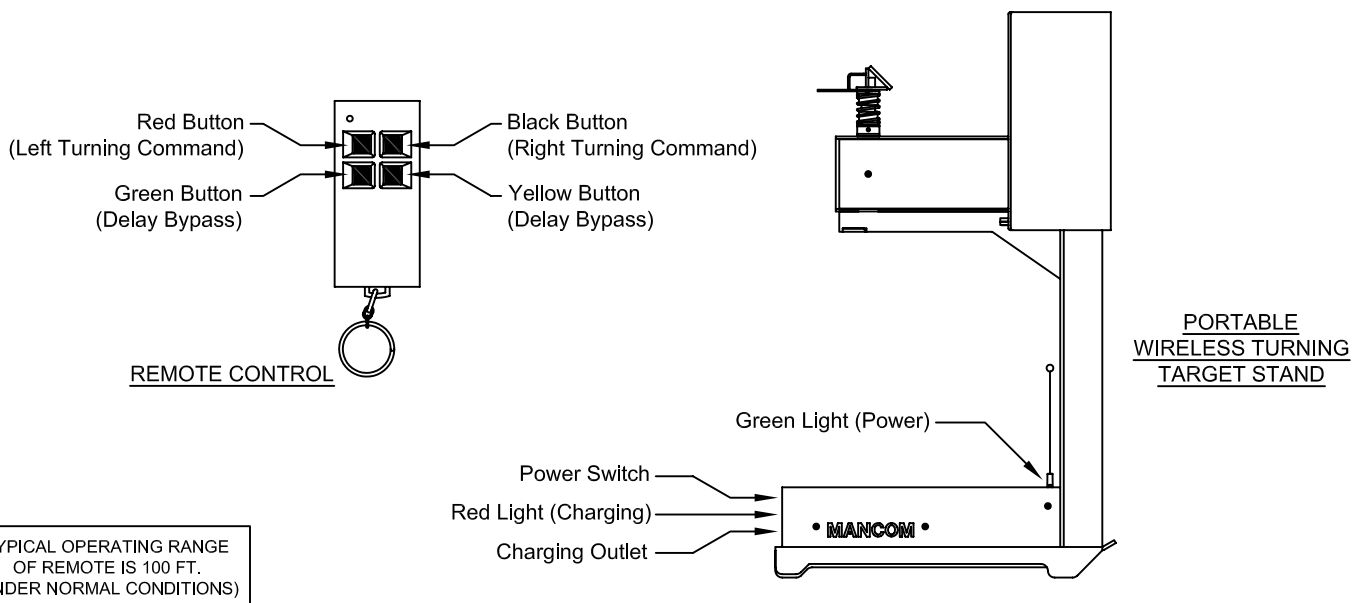
Example 4: To turn the target clamp 90° to the left, then immediately another 90° to the left:

- press and release the red button, press and release the green OR yellow button, press and release the red button.

CHARGING:

To charge the batteries in the unit, plug the AC adaptor (provided with the unit) into the charging outlet located on the back of the unit. The opposite end of the adaptor will plug into any standard 120 VAC wall outlet. A red light located on the back of the unit will light up, indicating the unit is charging.

**** NOTE: WHILE CHARGING IS TAKING PLACE (RED LIGHT IS ILLUMINATED), THE TARGET UNIT WILL NOT FUNCTION****



TYPICAL OPERATING RANGE
OF REMOTE IS 100 FT.
(UNDER NORMAL CONDITIONS)