

TECHNICAL DATA

AT A GLANCE

- *Bullet-resistant glass is cushioned on rubber strips*
- *Level 2 certification is standard; however, other levels are available*
- *Shooting Booth Shelf (SBB1100) and Swing-Out Barrier (SBB1200) are available as optional accessories*
- *Local Control Screen (LCS1100) mounts to booth divider frame*

DESCRIPTION:

The shooting booth divider is fabricated of tubular steel, with rubber strips to cushion the glass. The booth is compatible with swing-out barriers (SBB1200) and full-width shelves (SBB1100). The bullet-resistant glass is cut to size and rated for Level 2 certification, although glass of alternate certifications is available. Great sight lines mean that instructors can see everyone on the range. Full panes of glass mean that instructors can closely yet safely watch the students' grip, stance, etc., as they shoot.

FINISH:

Frame: Pebbled Black Powder Coat

SIZE:

*SBI1000:
48.00"L x 1.48"TH x 100.00"H*

*SBI1000R/L, SBI1000BR/BL:
48.00"L x 2.33"TH x 100.00"H*

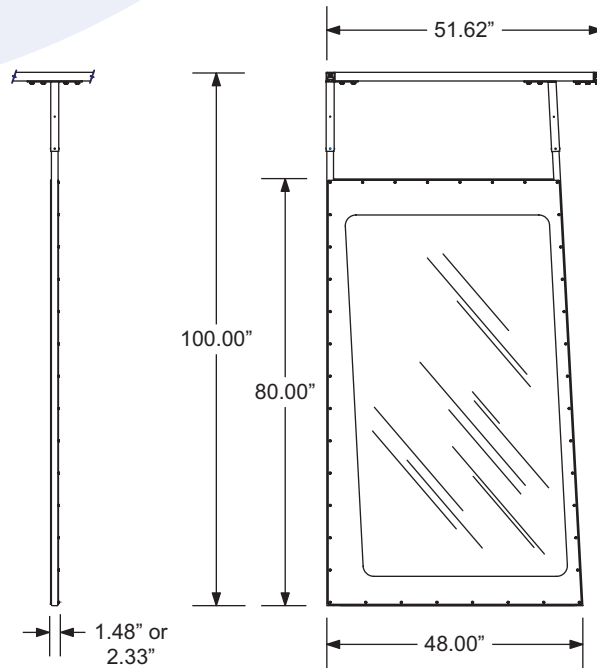
WEIGHT:

*SBI1000: 466 lbs
SBI1000R/L: 309 lbs
SBI1000BR/BL: 561 lbs*

INNOVATION. NOT IMITATION.

ARCHITECTS' & ENGINEERS' SPECS

The Instructor Series booth system shall be designed to separate shooters on the firing line. It shall allow the Range Master or Range Safety Officers to view the shooting positions clearly in order to monitor the proceedings. The front steel upright post shall be constructed with 1.25" x 1.25" mild steel tubing and shall attach to the lateral beam, which is used as a low-voltage wiring chase. The glass shall be trimmed with 14 gauge metal trim fitted with rubber strips to cushion the glass. The glass shall be of a bullet-resistant type rated to level 2, with other levels of certification to be available if required for the installation. The glass size shall be 72" x 40". The horizontal top member shall accommodate the Local Control Screen (LCS1100) and provide a solid support for the drive support lateral beam. The booth divider shall be fastened to the floor with appropriate anchors.



All specifications and design details are subject to change without prior notice. All rights reserved. © 11.04

INNOVATION. NOT IMITATION.