

Shooting Booth Shelf
Model SBB1100



TECHNICAL DATA

AT A GLANCE

- Full-width shelf with built-in hanger bracket
- Solid shooting support
- Two shallow built-in trays
- Easy set-up and removal

DESCRIPTION:

The Touch Plus™ Shooting Booth Shelf (SBB1100) is a physical barrier designed to prevent the shooter from crossing the firing line while also providing sturdy shooting support. There are two shallow trays cut into the wooden shelf. The shelf attaches simply yet securely to both sides of the shooting booth and can be easily detached and stored upright against the booth wall.

FINISH:

Wooden Shelf: Clear Finish Lacquer
Shelf Plates: Pebbled Black Powder Coat

SIZE:

45.78"L x 11.75"W x 1.46"TH

WEIGHT:

21 lbs

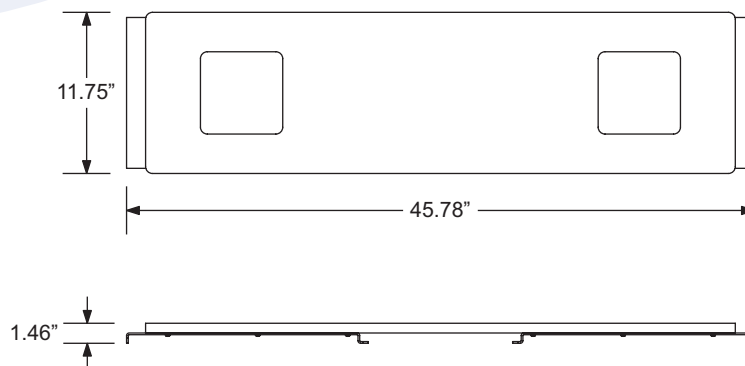
INNOVATION. NOT IMITATION.

Shooting Booth Shelf
Model SBB1100



ARCHITECTS' & ENGINEERS' SPECS

The Shooting Booth Shelf shall be an accessory to the Touch Plus™ series of Shooting Booths. The purpose of the shelf shall be to provide a physical barrier to prevent the booth occupant from going beyond the range firing line. The shelf shall consist of two metal brackets and a wooden component with two shallow storage trays. The shelf assembly shall be designed such that tabs in the shelf brackets fit into slots on the booth mounting brackets. There shall also be tabs located under the shelf so that the shelf can be lifted up and stored upright out of the way if necessary. The entire unit shall be sized at the time of installation for a perfect fit in the booth for which it has been specified.



All specifications and design details are subject to change without prior notice. All rights reserved. © 11.04

INNOVATION. NOT IMITATION.